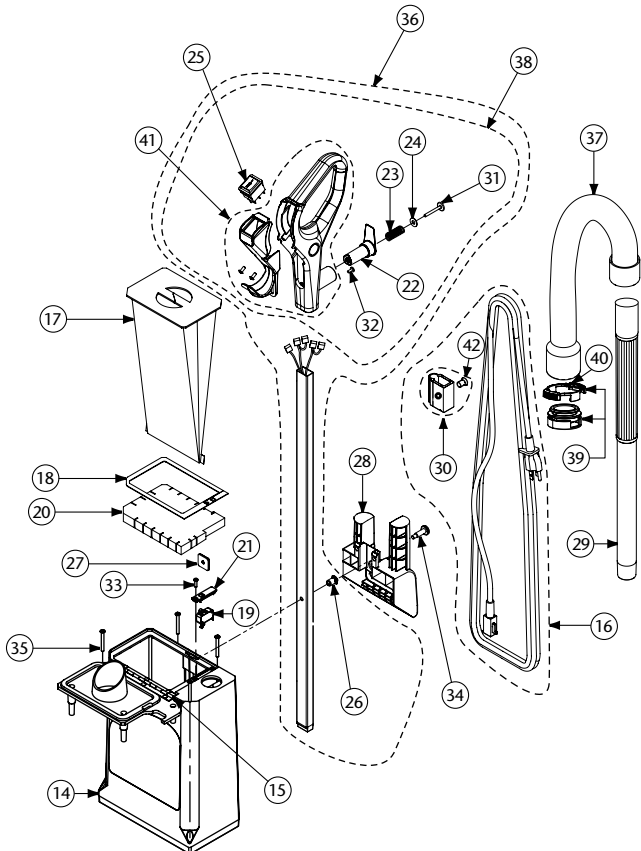
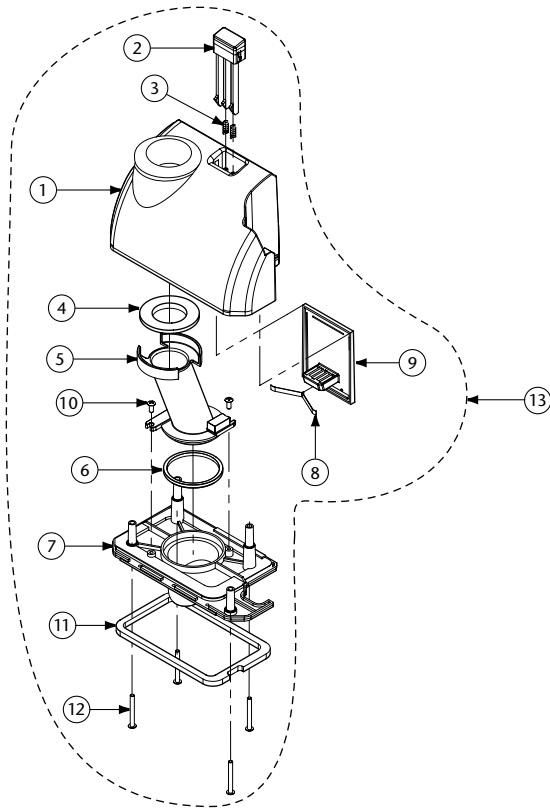
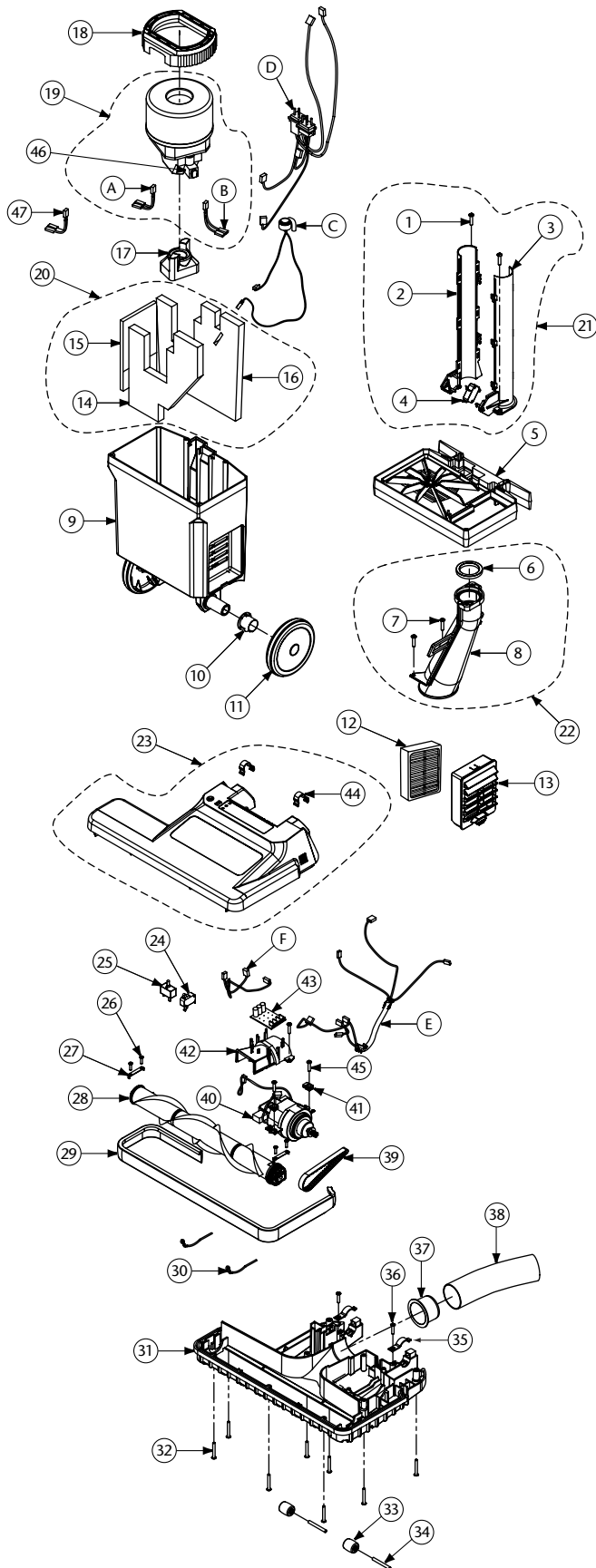


PROFORCE 1500XP PARTS



No.	Product Name	Qty	List Price
1	104234 Cover, Bag Housing, Grey F/XP	1 ea.	\$ 16.54
2	104232 Latch, Release, Bag Cover	1 ea.	4.41
3	104233 Spring, Release Button, F/Bag Cover Latch	2/pk	2.21
4	104235 Seal, Transition Duct/Bag Cover, Upper	1 ea.	3.31
5	104236 Duct, Transition, Bag Cover, F/XP	1 ea.	6.62
6	104238 Seal, Transition Duct/Bag Cover Nozzle Plate, Lower	1 ea.	2.21
7	104239 Plate, Bag Cover Nozzle, F/XP	1 ea.	5.16
8	104242 Spring, Bag Cover Latch	1 ea.	3.31
9	104243 Plate, Bag Cover Latch	1 ea.	2.43
10	104505 Screw, Phillips, 4mm x 9.5mm	2/pk	2.21
11	104241 Gasket, Bag Cover	1 ea.	2.43
12	104493 Screw, Phillips, 4mm x 38mm	4/pk	4.05
13	105486 Filter Cover Kit w/Riveted Hinge and 6 Rivets (includes: #1-12)	1 kit	43.66
14	104490 Bag Housing Assembly, Grey w/Riveted Hinge & Decal Includes Bag Cover Nozzle Plate	1 ea.	39.69
15	104491 Rivet F/Bag Housing Assembly	6/pk	3.31
16	104284 Cord, Power, w/Strain Relief, 50' Yellow (includes: #30, 42)	1 ea.	33.96
17	103483 Intercept Micro Filter	10/pk	10.99
18	104738 Seal, Gasket, Bag Housing	1 ea.	2.43
19	104283 Switch, Filter, Lock-Out	1 ea.	10.31
20	104281 Filter, Double Layer Motor Intake	1 ea.	2.89
21	104282 Cover, Switch, Filter Lock-out	1 ea.	2.43
22	104268 Bracket, Cord Wrap	1 ea.	4.41
23	104269 Spring, Compression, Cord Wrap Bracket	1 ea.	2.43
24	104270 Washer, Compression Spring, Cord Wrap Bracket	1 ea.	1.10
25	105147 Switch, Rocker, On/Off	1 ea.	13.23
26	104264 Bushing, Handle Tube	1 ea.	1.22
27	104259 Plate, Handle Nut	1 ea.	1.22
28	104265 Handle, Carry w/Tool Caddy, F/XP	1 ea.	5.51
29	104294 Wand, F/XP	1 ea.	14.55
30	105091 Clasp, Strain Relief Kit w/Fastener (include: #42)	1 ea.	6.07
31	104271 Screw, Cord Wrap, 4mm x 35mm, Phillips Round Head	1 ea.	2.21
32	104509 Screw, Phillips, M4 x 10mm x .07 Pitch, F/Handle Assembly	1 ea.	2.21
33	105075 Screw, Phillips, 2.9mm x 13mm, F/Switch Cover	1 ea.	3.94
34	104266 Screw, Handle Assembly	1 ea.	1.35
35	104493 Screw, Phillips, 4mm x 35mm	4/pk	4.05
36	106618 Handle, Tube Assembly Complete, F/XP (includes: #26, 38)	1 ea.	60.03
37	104961 Hose, Assembly w/Cuffs, F/XP (includes: #40)	1 ea.	42.45
38	106617 Handle Kit (includes: #22, 23, 24, 25, 31, 32, 41)	1 kit	39.69
39	105573 Quick Release Hose Cuff	1 ea.	14.75
40	105572 Quick Release Clip	1 ea.	5.41
41	106619 Handle/Bezel Assembly (PF1500XP)	1 ea.	22.05
42	105320 Fastener	1 ea.	4.73

PROFORCE 1500XP PARTS



No.	Product Name	Qty	List Price
1	104209 Screw, Phillips, 4mm x 12mm F/Wand Guide	2/pk	\$ 2.63
2	104261 Guide, Wand, Upper Left	1 ea.	3.31
3	104260 Guide, Wand, Upper Right	1 ea.	3.31
4	104263 Switch, Wand Lockout	1 ea.	7.28
5	104245 Bulkhead, Dark Grey	1 ea.	14.63
6	104253 Seal, Lower Air Duct, Nitrile	1 ea.	1.22
7	104267 Screw, Phillips, 4mm x 12mm F/Lower Air Duct	2/pk	3.98
8	104250 Air Duct	1 ea.	10.31
9	104536 Motor Housing, Charcoal	1 ea.	32.20
10	104504 Bearing, Pivot	2/pk	3.31
11	104306 Wheel, Rear	2/pk	12.13
12	105136 Filter, Exhaust, HEPA Media	1 ea.	6.62
13	104246 Cover, Filter Cartridge, Charcoal	1 ea.	4.97
14	103532 Foam, Sound, Motor Housing, Front Panel	1 ea.	5.16
15	103533 Foam, Sound, Motor Housing, Left Panel	1 ea.	3.03
16	103531 Foam, Sound, Motor Housing, Rear Panel	1 ea.	7.28
17	104247 Motor Mount, Lower Nitrile	1 ea.	6.07
18	104249 Motor Mount, Upper Nitrile	1 ea.	10.31
19	104957 Motor Assembly w/Jumpers (includes: A, B)	1 kit	72.77
20	105488 Motor Housing Sound Filter (includes: #14,15,16)	1 kit	14.55
21	105490 Wand Kit (includes: #1, 2, 3, 4)	1 kit	9.70
22	105489 Air Duct Kit (includes: #6, 7, 8)	1 kit	10.92
23	104494 Power Nozzle Cover w/Detent Springs & Decal	1 ea.	29.95
24	104279 Switch, Safety, Power Nozzle Lockout	1 ea.	13.08
25	104212 Circuit Breaker	1 ea.	16.35
26	104496 Screw, Phillips, 2.9mm x 35mm, F/Brush Retainer	4/pk	5.05
27	104499 Retainer, Brush Roll	2/pk	2.43
28	104216 Brush Roll, Power Nozzle, 14"	1 ea.	28.90
29	104218 Bumper, Power Nozzle, Vinyl	1 ea.	6.62
30	104500 Brace, Formed Wire, F/Power Nozzle Base	2/pk	2.43
31	104221 Baseplate, Power Nozzle	1 ea.	37.60
32	104497 Screw, Phillips, 4mm x 35mm F/Base Cover	8/pk	5.73
33	104501 Roller, Front	2/pk	4.41
34	104502 Shaft, Front Roller Axle	2/pk	2.43
35	104503 Clamp, Rear Wheel	1 set	4.24
36	104495 Screw, Phillips, 4mm x 19mm F/Powerhead	5/pk	3.31
37	104227 Sleeve, Hose, Air Duct	1 ea.	2.43
38	104230 Hose, Power Nozzle to Air Duct, Lower	1 ea.	5.60
39	104217 Belt, Drive, F/Brush Roll	1 ea.	5.51
40	104506 Motor, Power Nozzle with Crimps	1 ea.	71.75
41	104498 Grommet, Vibration, Power Nozzle Motor, Nitrile	2/pk	2.43
42	104224 Cover, Air Duct, Power Nozzle	1 ea.	4.56
43	104226 Board, Vacuum Operation Indicator	1 ea.	8.82
44	104507 Spring, Detent, Upright Lock	2/pk	3.31
45	105371 Screw, Phillips, 4.2mm x 19mm, F/Power Nozzle Motor	2/pk	2.21
46	105281 Carbon Brush Set for ProForce Motor	1 set	19.98
47	105760 Thermal Protector	1 ea.	8.92
105754	Wire Harness Kit includes:	1 set	31.43
	A. Harness, Jumper, Red		
	B. Harness, Jumper, White		
	C. Sensor, Bag Full Indicator		
	D. Harness, Main Power Supply		
	E. Harness, Wire, Power Nozzle		
	F. Harness, Power Nozzle Switch		